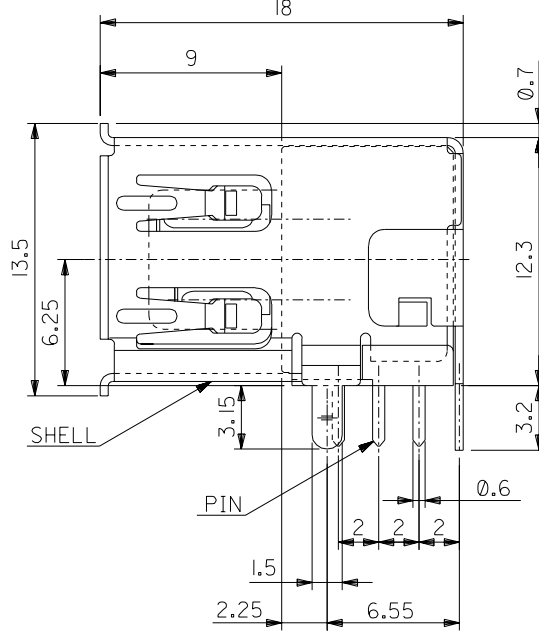
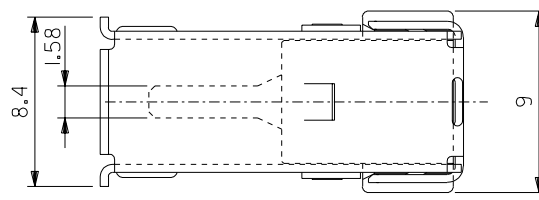
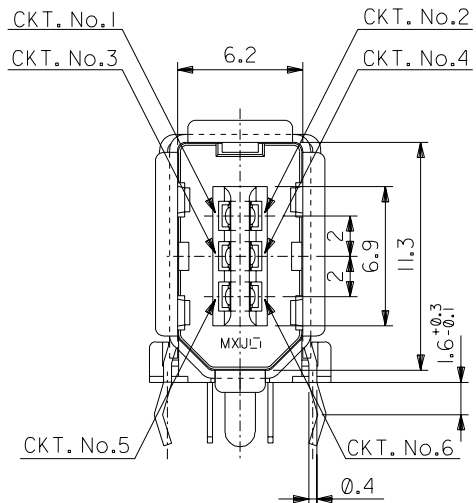
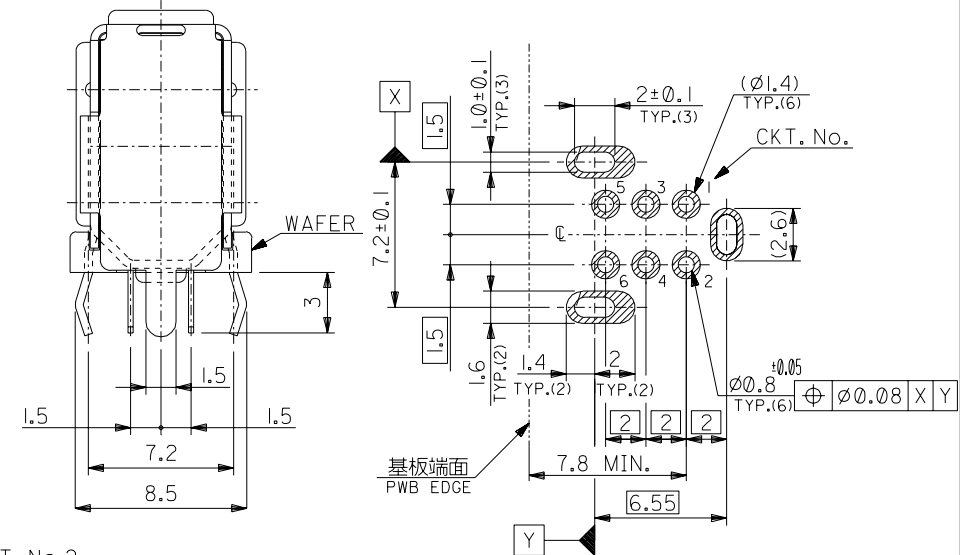


DWG. NO. SD-53460-019

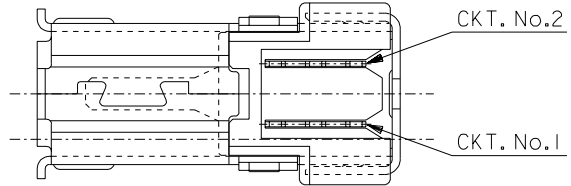


| 部品名<br>PARTS NAME | 材質<br>MATERIAL                    | 注記<br>NOTES   |
|-------------------|-----------------------------------|---|
| ウェハー<br>WAFER     | ガラス入り46ナイロン<br>NYLON46 G.F.       | G.F.30%, UL94V-0, 色:黒<br>G.F.30%, UL94V-0, COLOR : BLACK  |
| ピン<br>PIN         | 黄銅 t0.25<br>BRASS t0.25           | 接点部:金メッキ 0.76 MICROMETER MIN.<br>CONTACT AREA : GOLD 0.76 MICROMETER MIN.<br>半田付け部:錫メッキ 1.0 MICROMETER MIN.<br>SOLDERTAIL AREA : TIN 1.0 MICROMETER MIN.<br>下地メッキ:ニッケルメッキ 2.0 MICROMETER MIN.<br>UNDER-PLATING : NICKEL 2.0 MICROMETER MIN. |
| シェル<br>SHELL      | りん青銅 t0.4<br>PHOSPHOR BRONZE t0.4 | 錫メッキ:1.0 MICROMETER MIN.<br>TIN : 1.0 MICROMETER MIN.<br>下地メッキ:ニッケルメッキ 1.27 MICROMETER MIN.<br>UNDER-PLATING : NICKEL 1.27 MICROMETER MIN.  |



P.C. BOARD HOLE DIM. (t=1.6)  
(COMPONENT SIDE)

注記  
NOTE  
1. 本製品は 53460-0621,-0641 の鉛フリー品である。  
THIS PRODUCT IS LEAD FREE OF 53460-0621,-0641.



|  |                    |
|--|--------------------|
| 53460-0629   | 6                  |
| MATERIAL NO.   | CKT.               |
| DIMENSIONS:  | SHT REV            |
| <input type="checkbox"/> mm <input type="checkbox"/> INCH <input type="checkbox"/> mm ONLY | REVISE ON CAD ONLY |

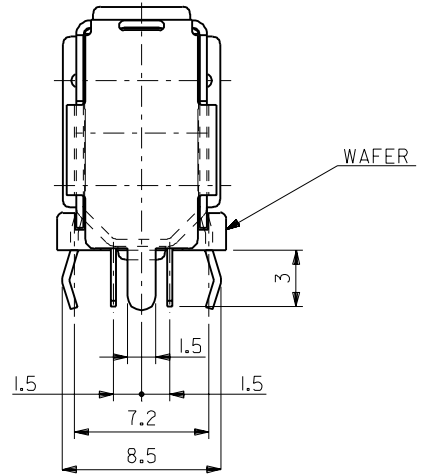
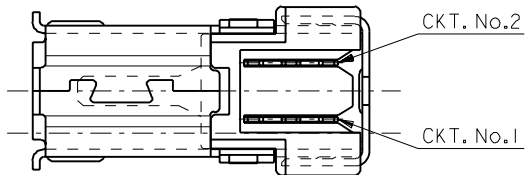
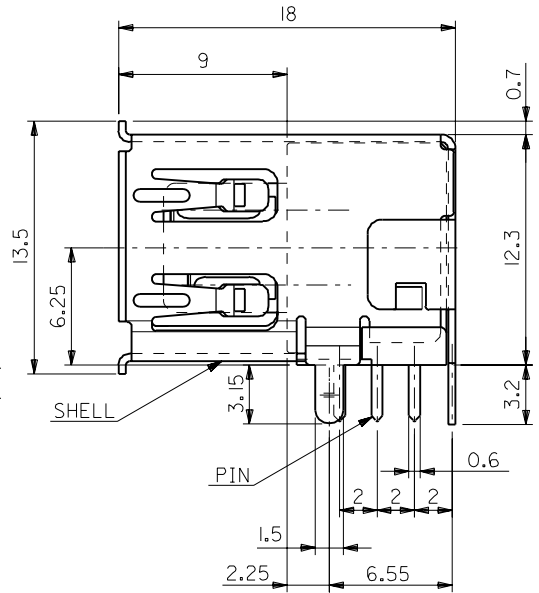
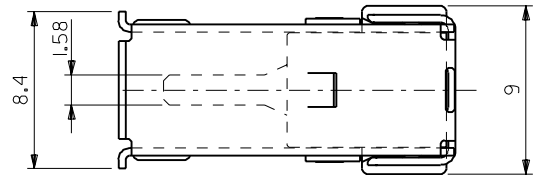
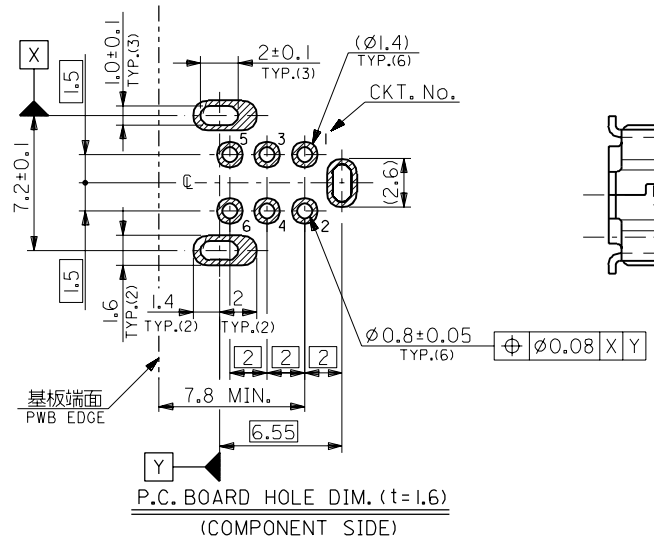
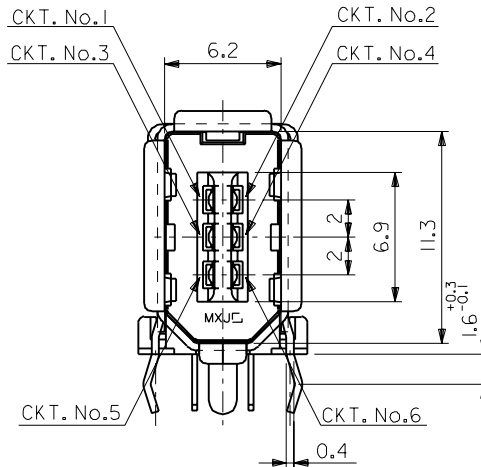
| EC NO. | DRWN: | CHK'g: | APPR: |
|--------|-------|--------|-------|
| EC NO. | DRWN: | CHK'g: | APPR: |
| EC NO. | DRWN: | CHK'g: | APPR: |
| EC NO. | DRWN: | CHK'g: | APPR: |

|  |   |  |
|--|---|--|
| RELEASED<br>EC NO.-J2004-4243<br>DRWN: Y.WADA '04/05/14<br>CHK'g: M.SASAO '04/05/14<br>APPR: M.SASAO '04/05/14 | MATERIAL 材料<br>//<br>FINISH 仕上げ<br>//<br>WIRE RANGE 適用電線範囲<br>//<br>INS. RANGE 被覆外径<br>// | 表参照<br>SEE TABLE<br>表参照<br>SEE TABLE<br>//<br>// |
|--|---|--|

|   |                                      |   |   |
|---|--------------------------------------|---|---|
| GENERAL TOLERANCES:<br>(UNLESS SPECIFIED)<br>一般公差 | SCALE 4:1                            | DESIGN UNITS <input checked="" type="checkbox"/> mm <input type="checkbox"/> INCH | MODEL NO. 53460-***29   |
| 10 UNDER 未満 ±0.2                                  | DRAWN BY & DATE Y.WADA '04/05/14     | THIRD ANGLE PROJECTION <input checked="" type="checkbox"/> mm ONLY                | TITLE: 2.0 I/O CONN. SOCKET RIGHT-ANGLE UPRIGHT WITH KINK -LEAD FREE- |
| 10 OVER 30 UNDER 以上 未満 ±0.25                      | CHECKED BY & DATE M.SASAO '04/05/14  |   | MOLEX MOLEX INCORPORATED  |
| 30 OVER 以上 ±0.3                                   | APPROVED BY & DATE M.SASAO '04/05/14 |   |   |
| ANGLE 角度 ±3°                                      | CAD FILENAME SD-53460-019.S01        | MATERIAL NO. SEE CHART  | DRAWING NO. SD-53460-019  |

THIS DRAWING CONTAINS INFORMATION THAT IS PROPRIETARY TO MOLEX INCORPORATED AND SHOULD NOT BE USED WITHOUT WRITTEN PERMISSION.

|                  |        |
|------------------|--------|
| SHEET NO. 1 OF 1 | SIZE B |
|------------------|--------|



| 部品名<br>PARTS NAME | 材質<br>MATERIAL                    | 注記<br>NOTES  |
|-------------------|-----------------------------------|--|
| ウエハー<br>WAFER     | ガラス入り46ナイロン<br>NYLON46 G.F.       | G.F.30%, UL94V-0, 色:黒<br>G.F.30%, UL94V-0, COLOR:BLACK   |
| ピン<br>PIN         | 黄銅 t0.25<br>BRASS t0.25           | 接点部:金メッキ0.76µmMIN.<br>CONTACT AREA:GOLD 0.76µmMIN.<br>半田付け部:半田メッキ3µmMIN.<br>SOLDERTAIL AREA:TIN-LEAD 3µmMIN.<br>下地メッキ:ニッケルメッキ2µmMIN.<br>UNDER-PLATING:NICKEL 2µmMIN. |
| シェル<br>SHELL      | りん青銅 t0.4<br>PHOSPHOR BRONZE t0.4 | 半田メッキ:3~6µm<br>TIN-LEAD:3~6µm<br>下地メッキ:ニッケルメッキ1.27µmMIN.<br>UNDER-PLATING:NICKEL 1.27µmMIN.  |

| 角度 ANGLE                   | 公差 TOLERANCE | 記号 LTR | 変更内容 REVISION RECORD    | DR. CHK. | 日付 DATE |
|----------------------------|--------------|--------|-------------------------|----------|---------|
| 30以上 OVER                  | +30          |        |                         |          |         |
| 10以上 30未満 OVER UNDER       | +0.25        | A      | 変更 REVISION (JC80715)   | T.N.     | 98/3/16 |
| 10未満 UNDER                 | +0.2         | O      | 新規作成 RELEASED (JC80564) | T.N.     | 98/1/12 |
| 角公差 般公差 GENERAL TOLERANCES |              | 記号 LTR | 変更内容 REVISION RECORD    | DR. CHK. | 日付 DATE |

|                   |                   |
|-------------------|-------------------|
| 材料 MATERIAL       | 表参照 SEE TABLE     |
| 仕上げ FINISH        | 表参照 SEE TABLE     |
| 適用電線範囲 WIRE RANGE | —                 |
| 被覆外径 INS. RANGE   | —                 |
| DRAWN BY '98/1/12 | CHK'D BY '98/3/17 |
| T.NIIISU          | S.KUNISHI         |
| APP'D BY '98/3/17 | 尺度 SCALE 4:1      |
| M.FUKUSHIMA       |                   |

|  |     |
|--|-----|
| MOLEX-JAPAN CO.,LTD.<br>日本モレックス株式会社                      |     |
| REVISE ONLY ON CAD SYSTEM                                |     |
| TITLE 名称   |     |
| 2.0 I/O CONN. SOCKET<br>RIGHT-ANGLE UPRIGHT<br>WITH KINK |     |
| DWG. NO.   | REV |
| SD-53460-0621  | A   |